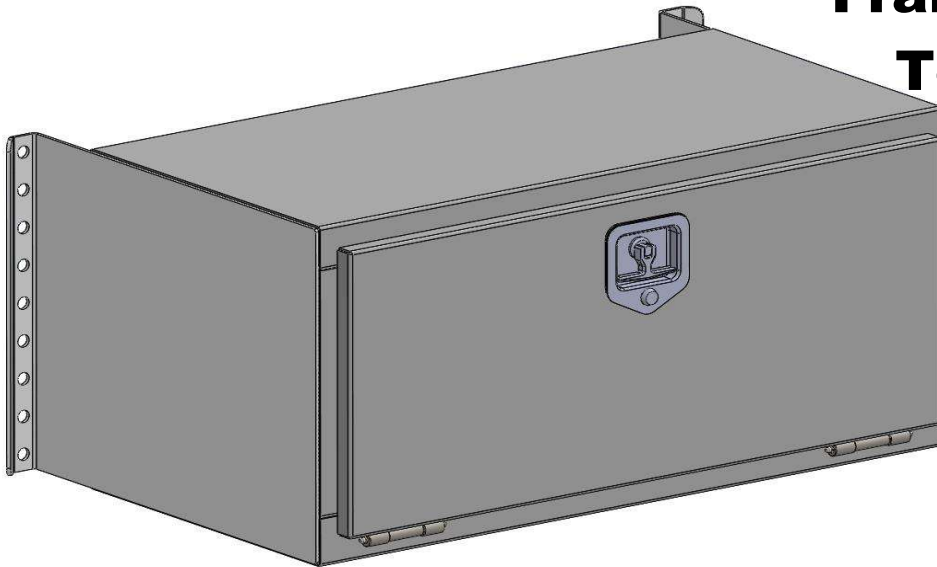




DuTec Heavy Duty Frame Mount Tool Box



MODEL SELECTION CHART

MODEL	TALL " (T)	DEPTH " (D)	LENGTH " (L)	NET WEIGHT *
D-UB 18	18	18	18	64
D-UB 24	18	18	24	78
D-UB 30	18	18	30	92
D-UB 36	18	18	36	105
D-UB 40	18	18	40	115
D-UB 48	18	18	48	134
D-UB 60 **	18	18	60	161
D-UB 72 **	18	18	72	189
D-UB 90 **	18	18	90	231
D-UBH 24	14	18	24	67
D-UBH 30	14	18	30	80
D-UBH 36	14	18	36	93
D-UBH 48	14	18	48	117
D-UBH 60 **	14	18	60	142
D-UBC 24	22	22	24	101
D-UBC 36	22	22	36	131
D-UBC 48	22	22	48	168
D-UBHS 24	14	11	24	51
D-UBHS 30	14	11	30	61
D-UBHS 36	14	11	36	71
D-UBHT 24	14	14	24	62
D-UBHT 30	14	14	30	72
D-UBHT 36	14	14	36	81

* APPROXIMATE

** 2 DOOR PANEL

- STANDARD FEATURES**
- * 12 gauge H.R.P.O. construction
 - * Heavy - duty machined door hinges with 5/16" stainless steel pivot pin and end caps.
 - * Grease fittings.
 - * Rugged flush mounted locking stainless steel T - handle latch
 - * X - break in door for rigidity
 - * Industry's most water and dust resistant door design further enhanced with an automotive type bulb rubber seal
 - * Heavy - duty 3/16" door chains
 - * Our 5 stage cleaning and phosphate treatment process gives you the best cleaning and Pre treatment available.
 - * Powder Coated to assure the most durable finish available.

AUTHORIZED DISTRIBUTOR:

For the name of your
nearest DuTec distributor
call 903-868-1917

