

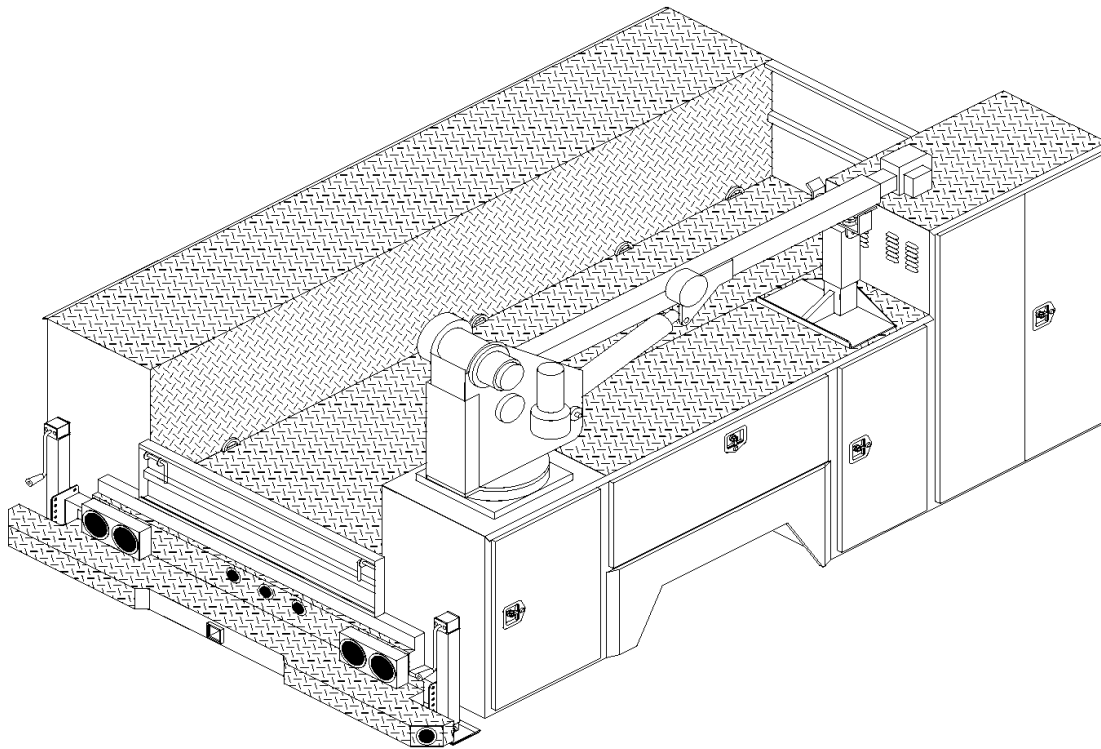


16K DSD CB

DSD	MODEL	MODEL
SPECIFICATIONS	DSD 60 16K	DSD 84 16K
Body Length	109	133"
Overall Width	96"	96"
Front Height	46	46
Rear Height	43	43
Floor Width	49.5"	49.5"
Compartment Depth	22"	22"
Floor to top of Compartment	25"	25"
Front Compartment Length	35"	38"
Second Compartment Length	-	21"
Horizontal Compartment Length	48"	48"
Rear Compartment Length	26"	26"
Optional Oxy/Ace Compartment Height	60"	60"
Approximate Base Body Weight w O. A.	2059	2398
Standard Shelving Package Weight	257	323

**Our Promise To You:
" No Compromise"
in Providing the
Very Best Equipment
Available**

**** DSD Chassis Requirements : 15,000 - 19,500 Lbs. G.V.W.R.
Minimum For Body And Chassis Only. Does Not Address Chassis
Limitations Imposed By Crane Manufacturer.**



16K DSD 84 CB with O/A and Step Bumper

16K CRANE BODY STANDARD FEATURES

- * **Body Subframe: 5" X 3/16 HR Crossmembers, Longitudinal Floor Reinforcement Torsion Box Subframe for Body Rigidity**
- * **Low Floor Height (Only 5" above Chassis Frame)**
- * **Floor: 1/8" Treadplate**
- * **Compartment Tops and Rears: 1/8" Treadplate**
- * **Crane Compartment: 1/4" H.R. Steel with 1/2" H.R. Top Plate. Completely open for storage**
- * **Major Body Components: 12 Ga. H.R.P.O.**
- * **Body Designed With Appropriate Material Eliminating Overlays with Rust Pockets**
- * **Superior Weather Tight Double Panel Galvaneal Doors**
- * **Automotive Type Replaceable Bulb Rubber Seals**
- * **14 Gauge Shelving Package with Dividers**
- * **HD Shelf Support Channels that hold the shelf where you put it even on the Roughest Road**
- * **Stainless Steel 3 Point Locking T-Handle Latches**
- * **Spring Mounting Kit**
- * **22" Deep Compartments**
- * **12 Gauge Formed Tailgate/ Work Table**
- * **Over Center Spring Loaded Door Restraints**
- * **Anti - Rattle Shelf Dividers**
- * **Greaseable XHD Hinges with 5/16" Stainless Steel Pins.**
- * **Die Formed Ribs in Front Bulk Head**
- * **Recessed Cargo Tie Down Rings**
- * **All exterior Welds are Continuous Fully Penetrating Welds.**
- * **No Caulking is used on these bodies.**
- * **A Factory Installed Wiring Loom is Provided with each Crane Body**
- * **Stop, Turn, Tail Lights are Sealed Beams**
- * **Each Crane Body is Thoroughly Cleaned and Phosphatized Prior to the Appl of 2 Mils of PPG Plural Component Epoxy Primer**

OPTIONAL 16K CRANE BODY EQUIPMENT

- * **Drawer Storage Units Mounted on 300 lb. Accuride Slides available for any compartment.**
- * **A 600 lb. Slide out Mechanics Tool Tray**
- * **Material Storage Hooks for storage of Ropes, Cables, Cords, etc. These are available in Fixed, Swivel, and Sliding Swivel arrangements.**
- * **60" Tall Vented Oxygen / Acetylene Storage Compartment available in D - 1 or P - 1. The Compartment comes complete with Reinforced Floor with Bottle Retention Rings, Bottle Tie Downs, Gauge and Torch Holders, and a Hose Rack.**
- * **Oxygen / Acetylene compartment with vertical partition and 4 small adjustable shelves Additional Adjustable Shelves and Dividers**
- * **Egg Crate Fastener Storage Drawer available in either Horizontal Compartment**
- * **Theft Deterrent Master Locking System**
- * **Cushioned Adjustable Boom Rest (loose)**
- * **Hydraulic Crane Prep Package**
- * **Compartment Lights**
- * **HD Step Bumper with Hitch Receiver**
- * **Louvered Header**

**Outriggers Must Be Used On All Models
When Operating Crane !**

Authorized Distributor :



**For the name of your nearest
Dutec distributor call
903-868-1917**